

# VetM M1-M3 -73kg

## Competitors A

#	Name	Grade	Club	1	2	3	Wins	Pts	Pos
1	Kyle O'BRIEN	1D	AB/Lethbridge	XX			0	0	3
2	Ivan ZALESKIKH	2D	AB/St. Albert	10	XX	10	2	20	1
3	Félix DESGAGNÉ-DOYON	1D	QC/Hakudokan	7		XX	1	7	2

## Matches A

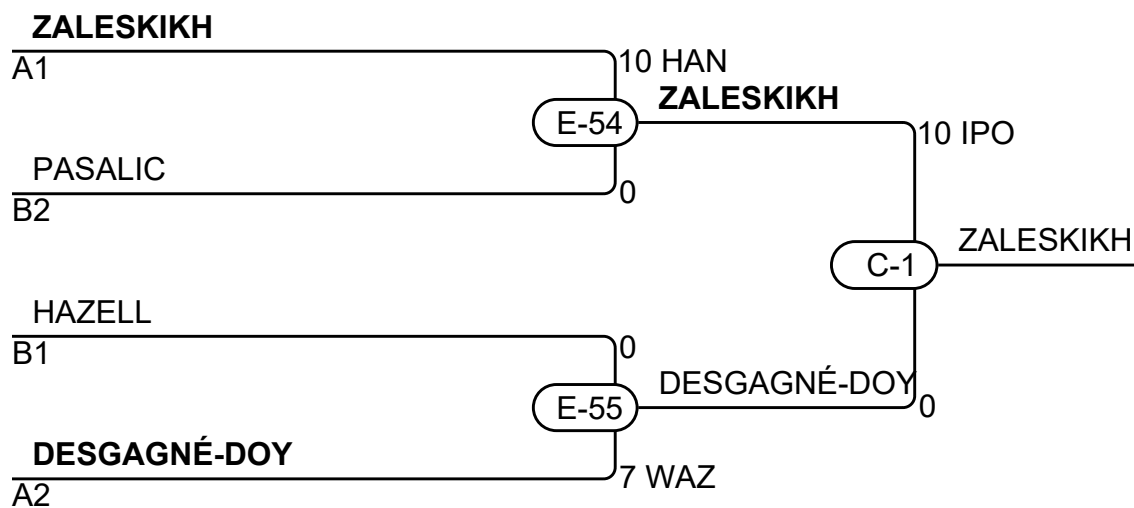
Match	White	Blue	Result	Time	Code
E-17	Kyle O'BRIEN 1 2	Ivan ZALESKIKH	0 - 10	1:27	WIP
E-33	Kyle O'BRIEN 1 3	Félix DESGAGNÉ-DOYON	0 - 7	3:00	WAZ
E-46	Ivan ZALESKIKH 2 3	Félix DESGAGNÉ-DOYON	10 - 0	1:36	IPO

## Competitors B

#	Name	Grade	Club	4	5	6	Wins	Pts	Pos
4	Ayman ETBAIL	1K	AB/Kodokwai	XX			0	0	3
5	Cole HAZELL	1D	ON/Green Dojo	10	XX	10	2	20	1
6	Razvan PASALIC	1D	QC/Olympique	10		XX	1	10	2

## Matches B

Match	White	Blue	Result	Time	Code
E-18	Ayman ETBAIL 4 5	Cole HAZELL	0 - 10	0:40	IPO
E-34	Ayman ETBAIL 4 6	Razvan PASALIC	0 - 10	1:26	WIP
E-47	Cole HAZELL 5 6	Razvan PASALIC	10 - 0	6:06	GSI



## Results

Pos	Name
1	Ivan ZALESKIKH, AB/St. Albert
2	Félix DESGAGNÉ-DOYON, QC/Hakudokan
3	Razvan PASALIC, QC/Olympique
3	Cole HAZELL, ON/Green Dojo