

# U21M -100kg

## Competitors/Compétiteurs A

#	Name/Nom	Club	1	2	3	4	W/G	Pts	Pos
1	SUBERLAK Ridley	SK/Battleford	XX				0	0	4
2	TYSHCHENKO Ivan	AB/Tokugawa	10	XX		10	2	20	2
3	BRAZHNYK Norman	ON/Challenge	10	10	XX	10	3	30	1
4	RAINVILLE Matys	QC/Drummondville	10			XX	1	10	3

## Pool A

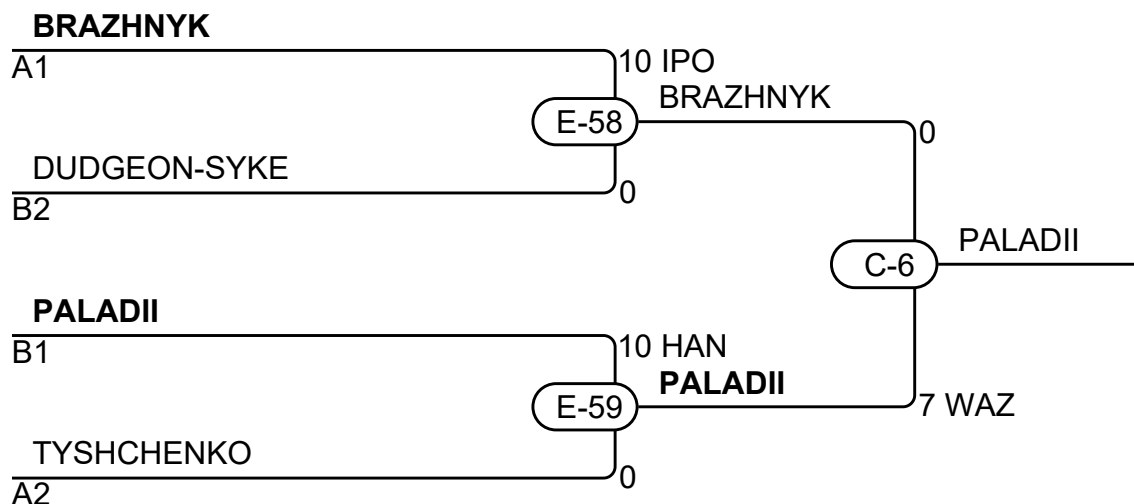
Match	White/Blanc			Blue/Bleu	Res/Rés	Tim/Tmp	Code
E-30	SUBERLAK Ridley	1	2	TYSHCHENKO Ivan	0 - 10	0:59	IPO
E-31	<b>BRAZHNYK Norman</b>	3	4	RAINVILLE Matys	10 - 0	3:56	IPO
E-40	SUBERLAK Ridley	1	3	<b>BRAZHNYK Norman</b>	0 - 10	0:59	WIP
E-41	<b>TYSHCHENKO Ivan</b>	2	4	RAINVILLE Matys	10 - 0	5:32	HAN
E-49	SUBERLAK Ridley	1	4	<b>RAINVILLE Matys</b>	0 - 10	2:09	IPO
E-50	TYSHCHENKO Ivan	2	3	<b>BRAZHNYK Norman</b>	0 - 10	3:46	HAN

## Competitors/Compétiteurs B

#	Name/Nom	Club	5	6	7	W/G	Pts	Pos
5	GAUDET Ethan	PE/Toshidokan	XX			0	0	3
6	DUDGEON-SYKES Jacob	MB/Portage	10	XX		1	10	2
7	PALADII Yehor	ON/Taifu	10	10	XX	2	20	1

## Pool B

Match	White/Blanc			Blue/Bleu	Res/Rés	Tim/Tmp	Code
E-32	GAUDET Ethan	5	6	<b>DUDGEON-SYKES Jacob</b>	0 - 10	0:25	IPO
E-42	GAUDET Ethan	5	7	<b>PALADII Yehor</b>	0 - 10	0:53	IPO
E-51	DUDGEON-SYKES Jacob	6	7	<b>PALADII Yehor</b>	0 - 10	0:05	IPO



## Results/Résultats

Pos	Name/Nom
1	PALADII Yehor, ON/Taifu
2	BRAZHNYK Norman, ON/Challenge
3	DUDGEON-SYKES Jacob, MB/Portage
3	TYSHCHENKO Ivan, AB/Tokugawa