

# U21 Male -90kg

## Competitors/Compétiteurs A

#	Name/Nom	Grade	Club	1	2	3	4	W/G	Pts	Pos
1	Habib SAID MOHAMMAD	Brown	Kodokwai	XX	5		10	2	15	2
2	Matys RAINVILLE	Shodan	Drummondville		XX		10	1	10	3
3	Soren TABOULCHANAS	Brown	Lethbridge	10	10	XX	10	3	30	1
4	Dante DA SILVA	Green	Abbotsford				XX	0	0	4

## Pool A

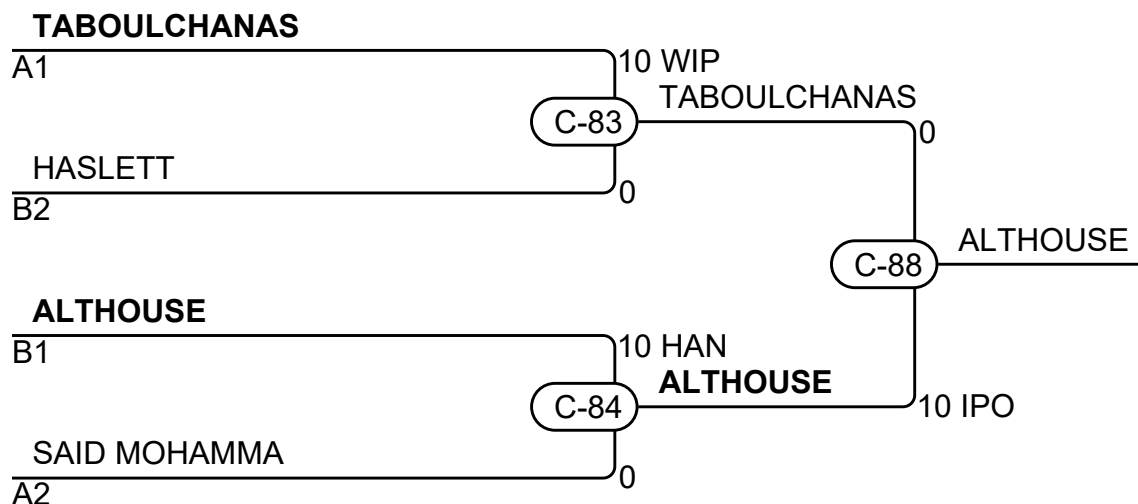
Match	White/Blanc	Blue/Bleu	Res/Rés	Tim/Tmp	Code
C-59	Habib SAID MOHAMMAD 1 2	Matys RAINVILLE	5 - 0	4:00	WAZ
C-64	Soren TABOULCHANAS 3 4	Dante DA SILVA	10 - 0	0:00	FUS
C-69	Habib SAID MOHAMMAD 1 3	Soren TABOULCHANAS	0 - 10	1:20	IPO
C-70	Matys RAINVILLE 2 4	Dante DA SILVA	10 - 0	0:00	FUS
C-77	Habib SAID MOHAMMAD 1 4	Dante DA SILVA	10 - 0	0:00	FUS
C-78	Matys RAINVILLE 2 3	Soren TABOULCHANAS	0 - 10	2:10	WIP

## Competitors/Compétiteurs B

#	Name/Nom	Grade	Club	5	6	7	W/G	Pts	Pos
5	Mike LEE	Brown	Kaizen Judo Academy	XX			0	0	3
6	Carter ALTHOUSE	Shodan	Lethbridge	10	XX	10	2	20	1
7	Nicholas HASLETT	Shodan	Shimpokai	10		XX	1	10	2

## Pool B

Match	White/Blanc	Blue/Bleu	Res/Rés	Tim/Tmp	Code
C-65	Mike LEE 5 6	Carter ALTHOUSE	0 - 10	3:33	HAN
C-71	Mike LEE 5 7	Nicholas HASLETT	0 - 10	2:56	HAN
C-79	Carter ALTHOUSE 6 7	Nicholas HASLETT	10 - 0	4:00	IPO



## Results/Résultats

Pos	Name/Nom
1	Carter ALTHOUSE, Lethbridge
2	Soren TABOULCHANAS, Lethbridge
3	Nicholas HASLETT, Shimpokai
3	Habib SAID MOHAMMAD, Kodokwai