

U16 Male -38kg

Competitors/Compétiteurs A

#	Name/Nom	Grade	Club	1	2	3	4	W/G	Pts	Pos
1	Grayden DIOME	Green	Tritton	XX	10			1	10	2
2	Grayson TAMURA	Green	Lethbridge		XX	10		1	10	3
3	Tikhon PETROCHENKOV	Green	Taifu	5		XX		1	5	4
4	Giorgi KURASHVILI	Green	Olympic	10	10	10	XX	3	30	1

Pool A

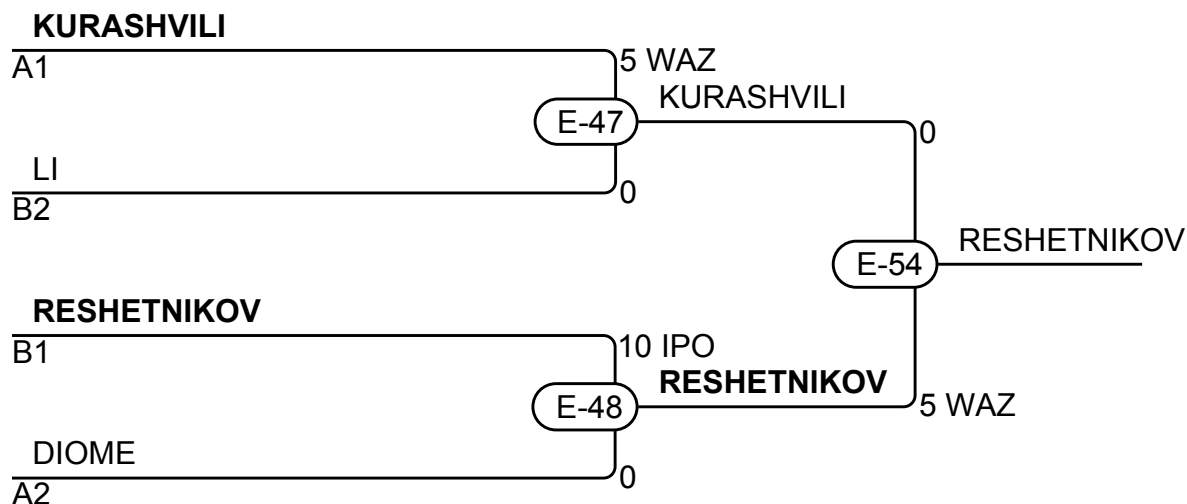
Match	White/Blanc	Blue/Bleu	Res/Rés	Tim/Tmp	Code
E-5	Grayden DIOME	1 2 Grayson TAMURA	10 - 0	0:29	IPO
E-12	Tikhon PETROCHENKOV	3 4 Giorgi KURASHVILI	0 - 10	0:20	IPO
E-25	Grayden DIOME	1 3 Tikhon PETROCHENKOV	0 - 5	5:34	GSW
E-26	Grayson TAMURA	2 4 Giorgi KURASHVILI	0 - 10	1:35	IPO
E-37	Grayden DIOME	1 4 Giorgi KURASHVILI	0 - 10	1:14	WIP
E-38	Grayson TAMURA	2 3 Tikhon PETROCHENKOV	10 - 0	1:52	IPO

Competitors/Compétiteurs B

#	Name/Nom	Grade	Club	5	6	7	W/G	Pts	Pos
5	Prokhor RESHETNIKOV	Green	Taifu	XX	5	10	2	15	1
6	Sergei BALANDIN	Green	Formokan		XX		0	0	3
7	Alexander LI	Green	Ippon		10	XX	1	10	2

Pool B

Match	White/Blanc	Blue/Bleu	Res/Rés	Tim/Tmp	Code
E-15	Prokhor RESHETNIKOV	5 6 Sergei BALANDIN	5 - 0	3:00	WAZ
E-27	Prokhor RESHETNIKOV	5 7 Alexander LI	10 - 0	1:41	IPO
E-39	Sergei BALANDIN	6 7 Alexander LI	0 - 10	1:11	HAN



Results/Résultats

Pos	Name/Nom
1	Prokhor RESHETNIKOV, Taifu
2	Giorgi KURASHVILI, Olympic
3	Alexander LI, Ippon
3	Grayden DIOME, Tritton