

## Competitors/Compétiteurs A

#	Name/Nom	Grade	Club	1	2	3	4	W/G	Pts	Pos
1	CHEVALIER Louis	shodan	ON/Hayabusakan	XX	10			1	10	3
2	JING Pierce	shodan	BC/Steveston		XX			0	0	4
3	ANDRIAMANANA Faniry-Michaë	brown	QC/St. Hyacinthe	10	10	XX		2	20	2
4	ALTHOUSE Carter	brown	AB/Lethbridge	10	10	5	XX	3	25	1

## Pool A

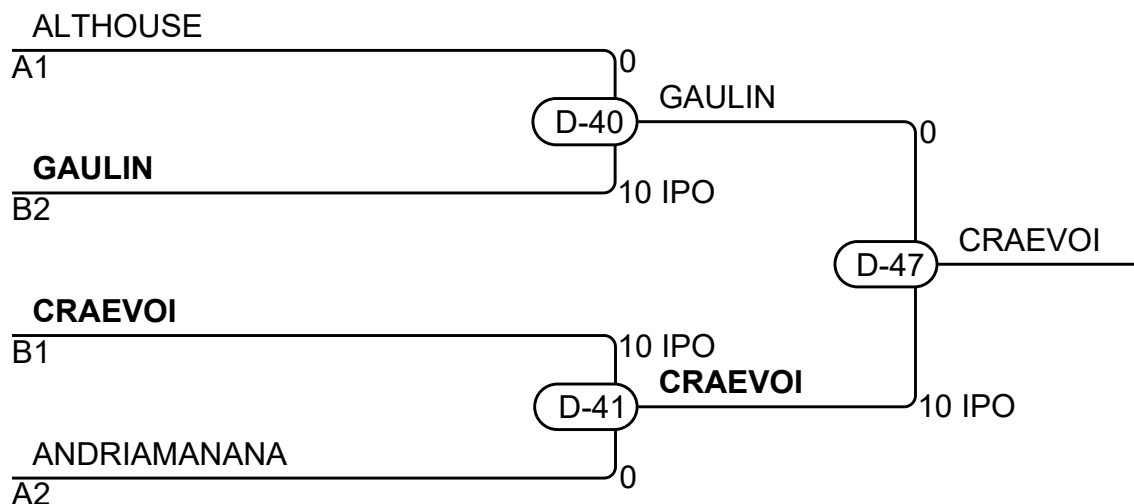
Match	White/Blanc	Blue/Bleu	Res/Rés	Tim/Tmp	Code
D-3	CHEVALIER Louis 1 2	JING Pierce	10 - 0	0:33	IPO
D-4	ANDRIAMANANA Faniry-Michaël 3 4	ALTHOUSE Carter	0 - 5	4:00	WAZ
D-17	CHEVALIER Louis 1 3	ANDRIAMANANA Faniry-Michaël	0 - 10	1:13	WIP
D-18	JING Pierce 2 4	ALTHOUSE Carter	0 - 10	4:30	GSI
D-29	CHEVALIER Louis 1 4	ALTHOUSE Carter	0 - 10	1:12	IPO
D-30	JING Pierce 2 3	ANDRIAMANANA Faniry-Michaël	0 - 10	0:24	IPO

## Competitors/Compétiteurs B

#	Name/Nom	Grade	Club	5	6	7	W/G	Pts	Pos
5	CRAEVOI Victor	brown	AB/Kodokwai	XX	10	10	2	20	1
6	SHAPORIN Artem	brown	QC/Ippon		XX		0	0	3
7	GAULIN Guillaume	shodan	QC/Juvaldo		10	XX	1	10	2

## Pool B

Match	White/Blanc	Blue/Bleu	Res/Rés	Tim/Tmp	Code
D-5	CRAEVOI Victor 5 6	SHAPORIN Artem	10 - 0	2:41	WIP
D-19	CRAEVOI Victor 5 7	GAULIN Guillaume	10 - 0	0:39	IPO
D-31	SHAPORIN Artem 6 7	GAULIN Guillaume	0 - 10	0:28	IPO



## Results/Résultats

Pos	Name/Nom
1	CRAEVOI Victor, AB/Kodokwai
2	GAULIN Guillaume, QC/Juvaldo
3	ALTHOUSE Carter, AB/Lethbridge
3	ANDRIAMANANA Faniry-Michaël, QC/St. Hyacinthe