

U21 Female -52kg

Competitors/Compétiteurs A

| # | Name/Nom | Grade | Club | 1 | 2 | 3 | W/G | Pts | Pos |
|---|-------------------------|--------|-------------------|----|----|----|-----|-----|-----|
| 1 | SIMARD-LEJEUNE Mathilde | brown | C355 Tritton Judo | XX | | | 0 | 0 | 3 |
| 2 | GRENIER Amélie | shodan | QC/Ju Shin Kan | 10 | XX | 10 | 2 | 20 | 1 |
| 3 | OJAS Rayna | brown | UW Judo | 10 | | XX | 1 | 10 | 2 |

Pool A

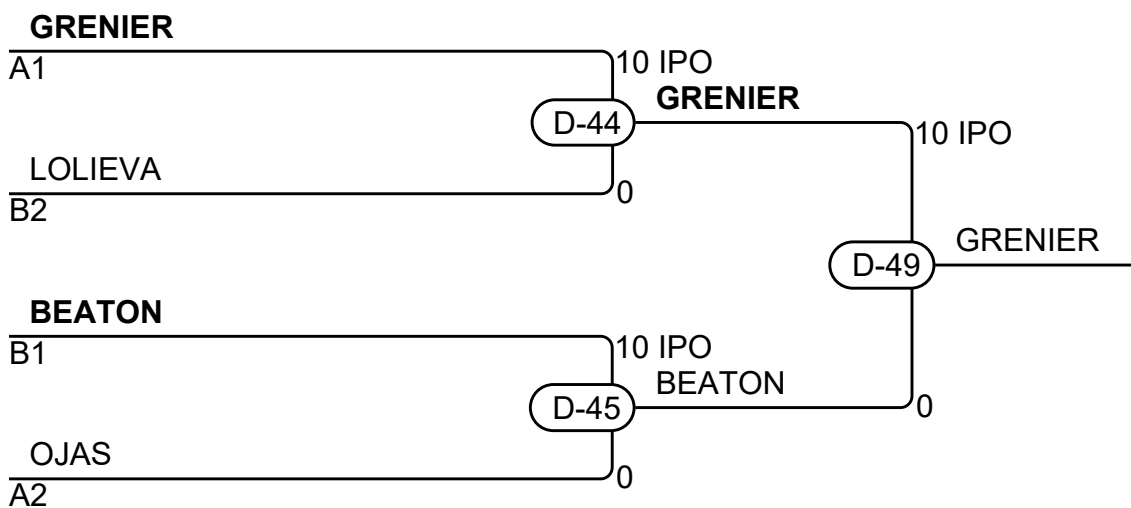
| Match | White/Blanc | Blue/Bleu | Res/Rés | Tim/Tmp | Code |
|-------|--------------------------------|----------------|---------|---------|------|
| D-13 | SIMARD-LEJEUNE Mathilde 1 2 | GRENIER Amélie | 0 - 10 | 1:04 | IPO |
| D-25 | SIMARD-LEJEUNE Mathilde 1 3 | OJAS Rayna | 0 - 10 | 3:38 | IPO |
| D-37 | GRENIER Amélie 2 3 | OJAS Rayna | 10 - 0 | 1:58 | WIP |

Competitors/Compétiteurs B

| # | Name/Nom | Grade | Club | 4 | 5 | 6 | W/G | Pts | Pos |
|---|----------------|--------|-------------------|----|----|----|-----|-----|-----|
| 4 | LOUET Violette | brown | QC/Judo Monde | XX | | | 0 | 0 | 3 |
| 5 | BEATON Evelyn | shodan | AB/Lethbridge | 10 | XX | 10 | 2 | 20 | 1 |
| 6 | LOLIEVA Rakiia | shodan | BC/Peak Judo Club | 10 | | XX | 1 | 10 | 2 |

Pool B

| Match | White/Blanc | Blue/Bleu | Res/Rés | Tim/Tmp | Code |
|-------|-----------------------|----------------|---------|---------|------|
| D-14 | LOUET Violette 4 5 | BEATON Evelyn | 0 - 10 | 1:40 | IPO |
| D-26 | LOUET Violette 4 6 | LOLIEVA Rakiia | 0 - 10 | 1:30 | WIP |
| D-38 | BEATON Evelyn 5 6 | LOLIEVA Rakiia | 10 - 0 | 2:10 | WIP |



Results/Résultats

| Pos | Name/Nom |
|-----|-----------------------------------|
| 1 | GRENIER Amélie, QC/Ju Shin Kan |
| 2 | BEATON Evelyn, AB/Lethbridge |
| 3 | LOLIEVA Rakiia, BC/Peak Judo Club |
| 3 | OJAS Rayna, UW Judo |